

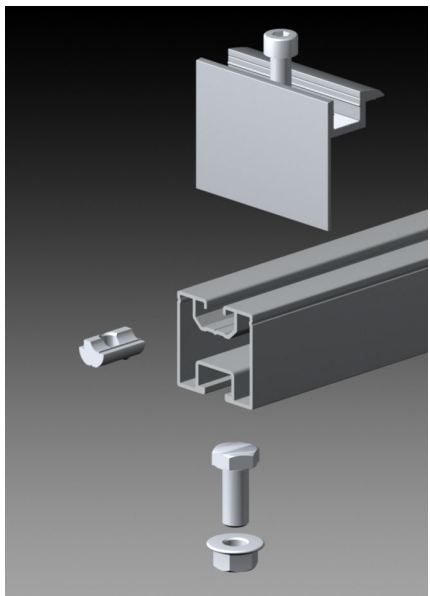
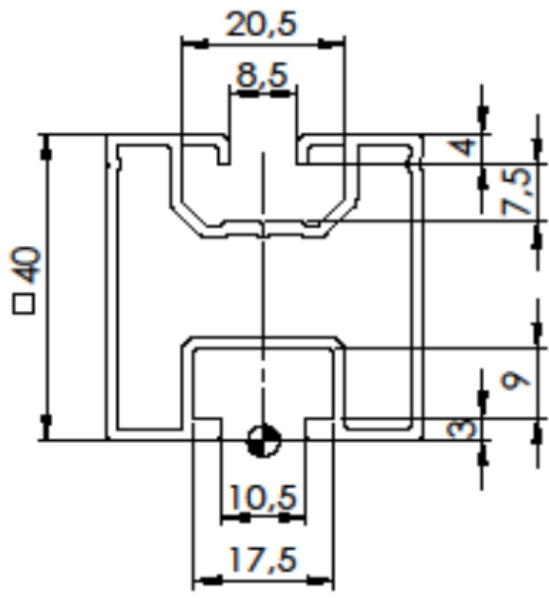


Art. 9664 W1

Profilo Solar per tassello scorrevole M 8 sezione mm. 40x40, Alluminio

Solar mounting rail for slot nut M 8, section mm. 40x40, Aluminum

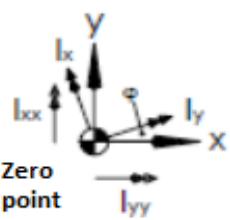
Codice Articolo / Item Number	L Profilo (mm) / L mounting rail (mm)	 Box	 Pallet
9664-W1	6400	5	100
9664-W1MT3200	3200	5	100



m'	0.921 kg/m
l <sub>xx</sub>	66533 mm <sup>4</sup>
l <sub>xy</sub>	0 mm <sup>4</sup>
l <sub>yy</sub>	65681 mm <sup>4</sup>
l <sub>yx</sub>	0 mm <sup>4</sup>
l <sub>x</sub>	66533 mm <sup>4</sup>
l <sub>y</sub>	65681 mm <sup>4</sup>
φ	0 Grad
W <sub>p</sub>	132215 mm <sup>4</sup>
A	340.8 mm <sup>2</sup>
S <sub>x</sub> /S <sub>y</sub>	0 mm / 20.05 mm

$W_x = l_x / (20) \text{ mm}$   
 $W_x = 3327 \text{ mm}^3$

$W_y = l_y / (20.05) \text{ mm}$   
 $W_y = 3276 \text{ mm}^3$



Coordinates of the centre of gravity  
 S<sub>x</sub>/S<sub>y</sub> referred to zero point